

Preliminary

LSB855TS5 - 550G

1.ABSOLUTE MAXIMUM RATING (Ta=25)

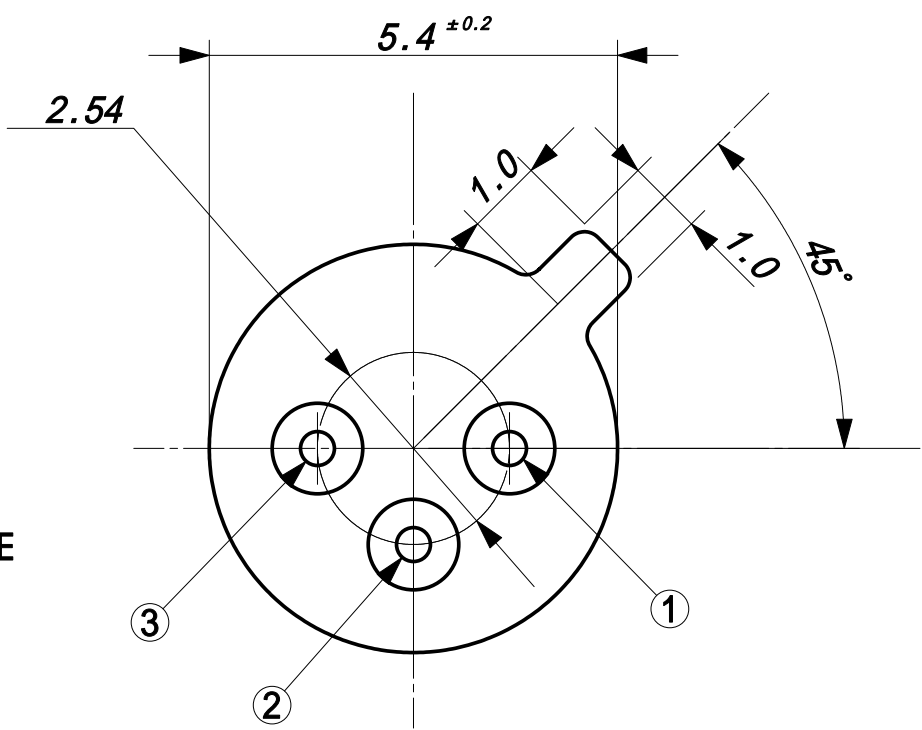
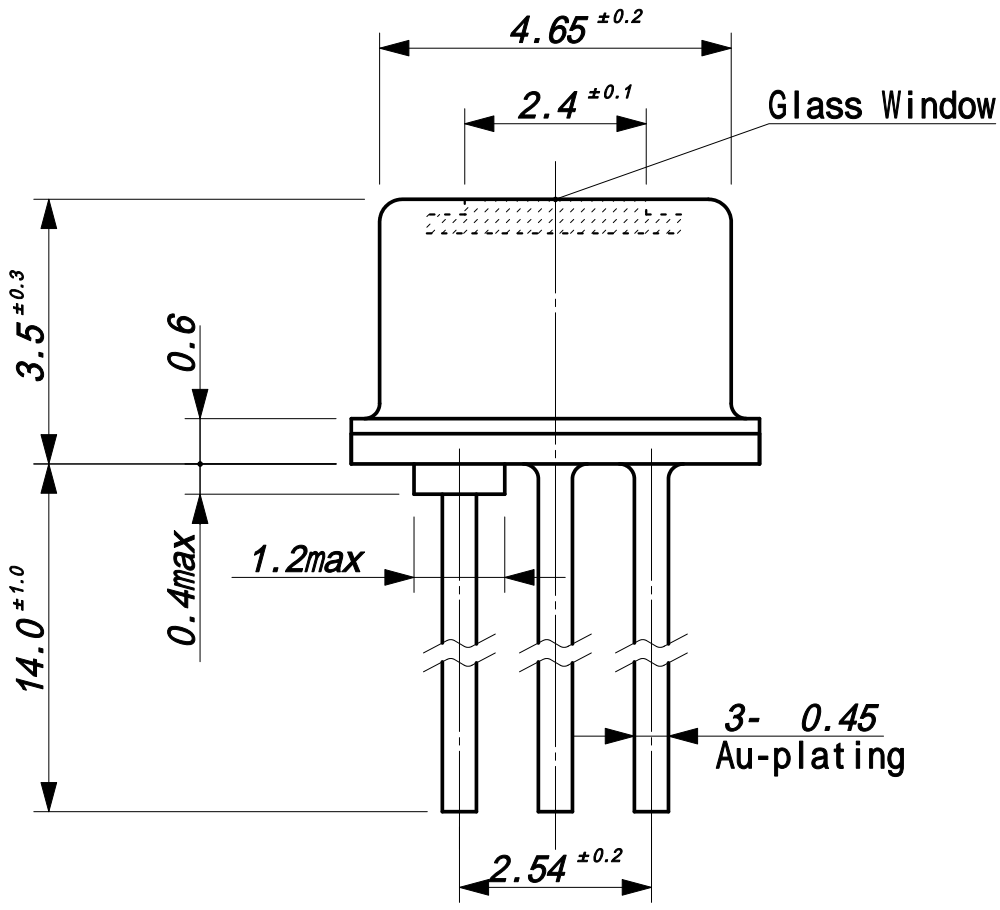
I T E M	SYMBOL	R A T I N G S	UNIT
Forward Current(DC)	I F	8 0	m A
Forward Current(Pulse)	I FP	0 . 4 * 1	A
Reverse Voltage	V R	5	V
Power Dissipation	P D	1 5 0	mW
Operating Temp.	T opr	- 3 0 ~ + 1 0 0	
Storage Temp.	T stg	- 4 0 ~ + 1 2 5	
Lead Soldering Temp.*2	T ls	2 6 0	

* 1 t w=1 0 u S , t=1 0 m S

* 2 Time 5 Sec max, Position; Up to 3mm from the body

2.ELECTRICAL & OPTICAL CHARACTERISTICS (Ta=25)

I T E M	SYMBOL	Min.	TYP.	MAX.	UNIT	CONDITION
Power Output	P O	2 . 5	3 . 5		mW	I F=5 0 m A
Forward Voltage	V F		2 . 0	2 . 4	V	I F=5 0 m A
Reverse Current	I R			1 0	μ A	V R=5 V
Peak Wavelength	P		8 5 0		n m	I F=5 0 m A
Spectral Line Half Width			4 5		n m	I F=5 0 m A
Half Intensity Beam Angle			\pm 6		d e g .	I F=5 0 m A



LED ANODE
 LED CATHODE
 CASE

CHK BY	DWG BY T.Naka	TITLE LSB855TS5-550G
DATE. 2016.6.13	SCALE UNIT 10/1 mm	DWG.No.